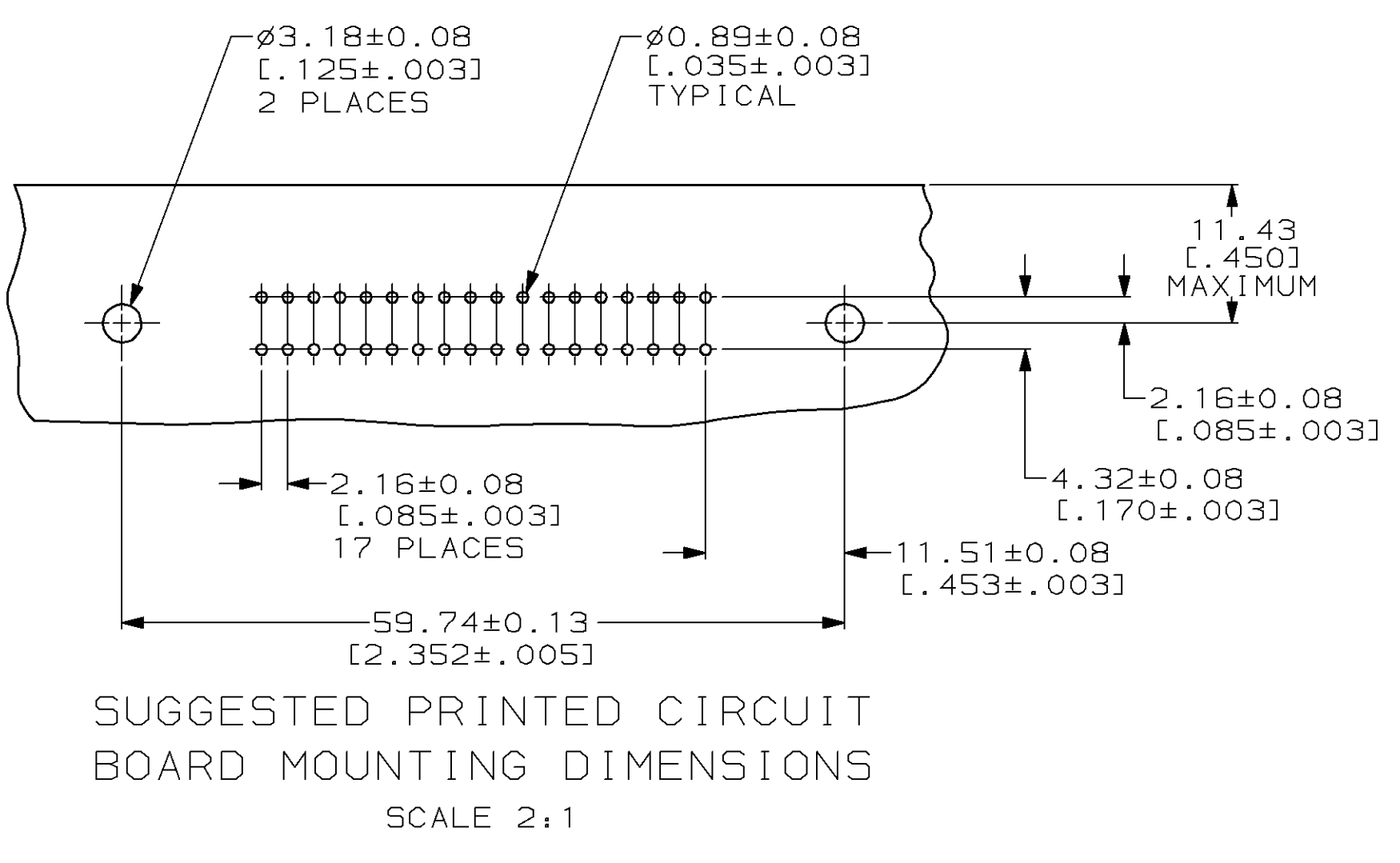
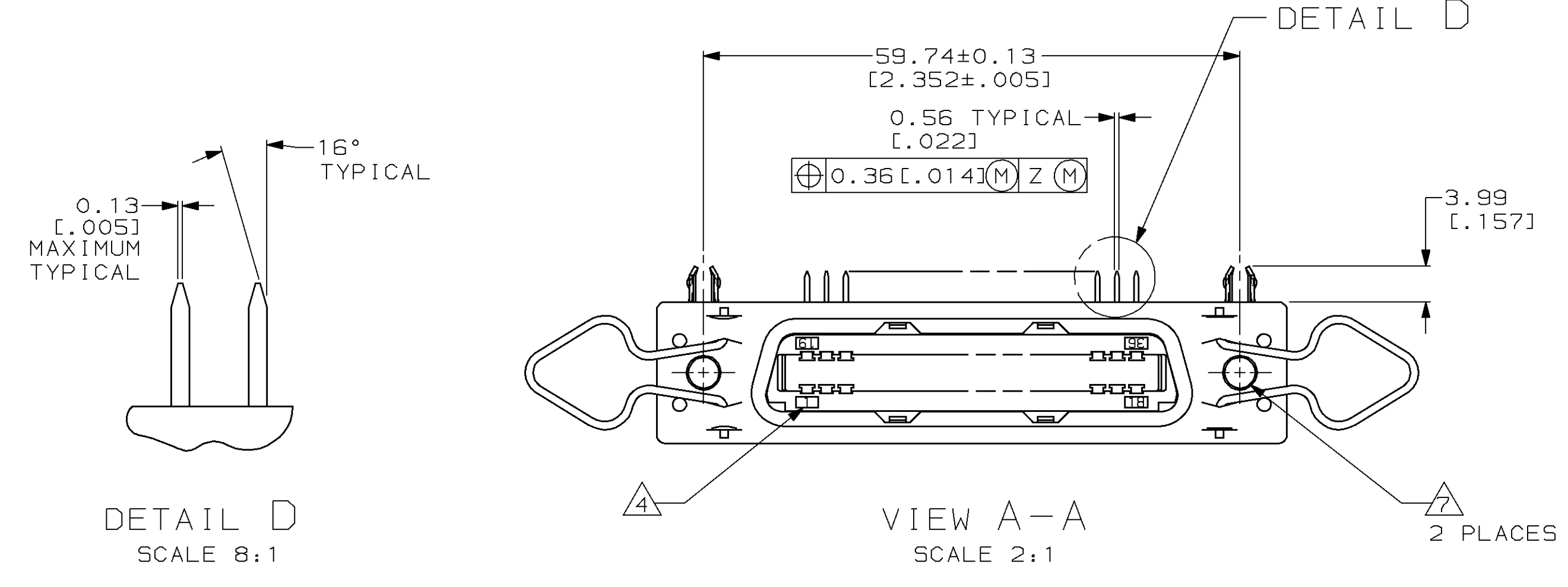
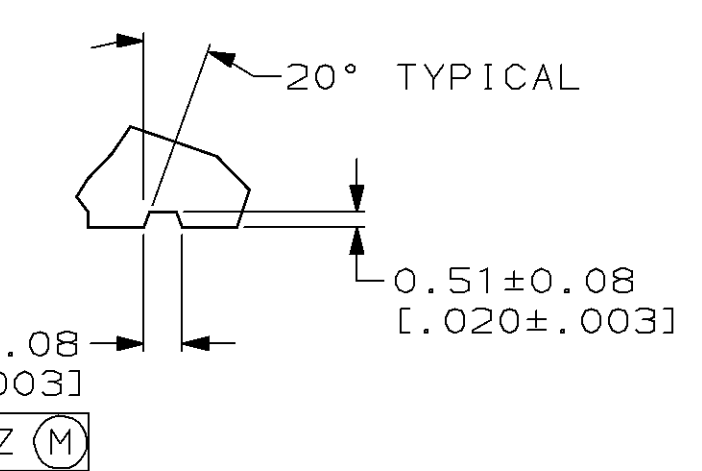
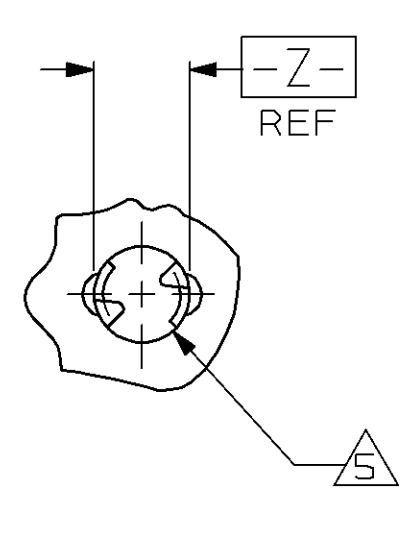
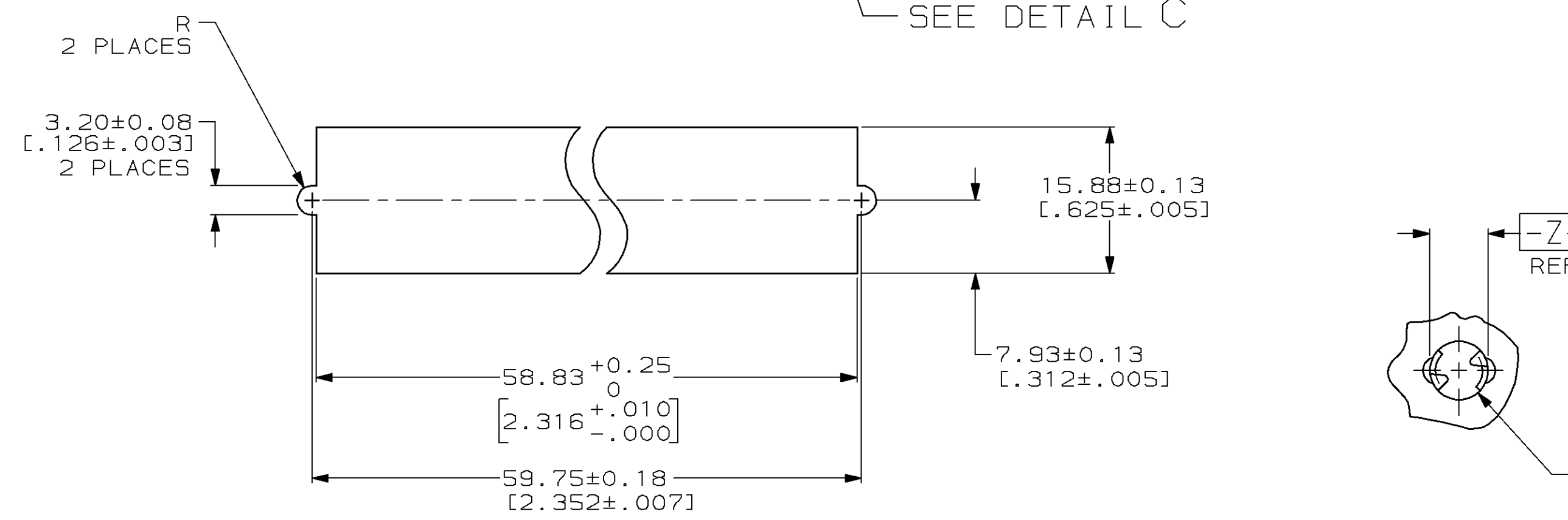
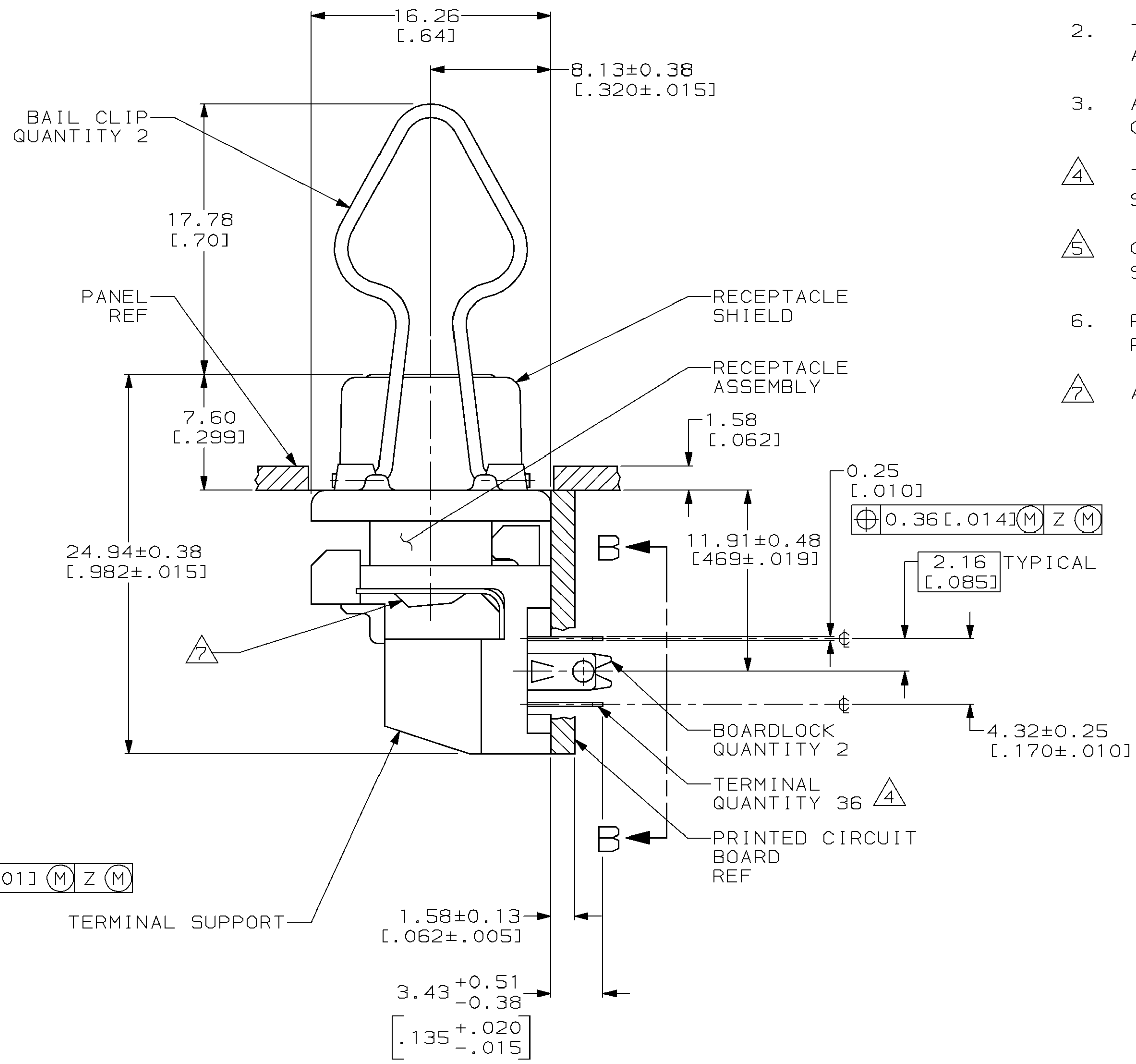
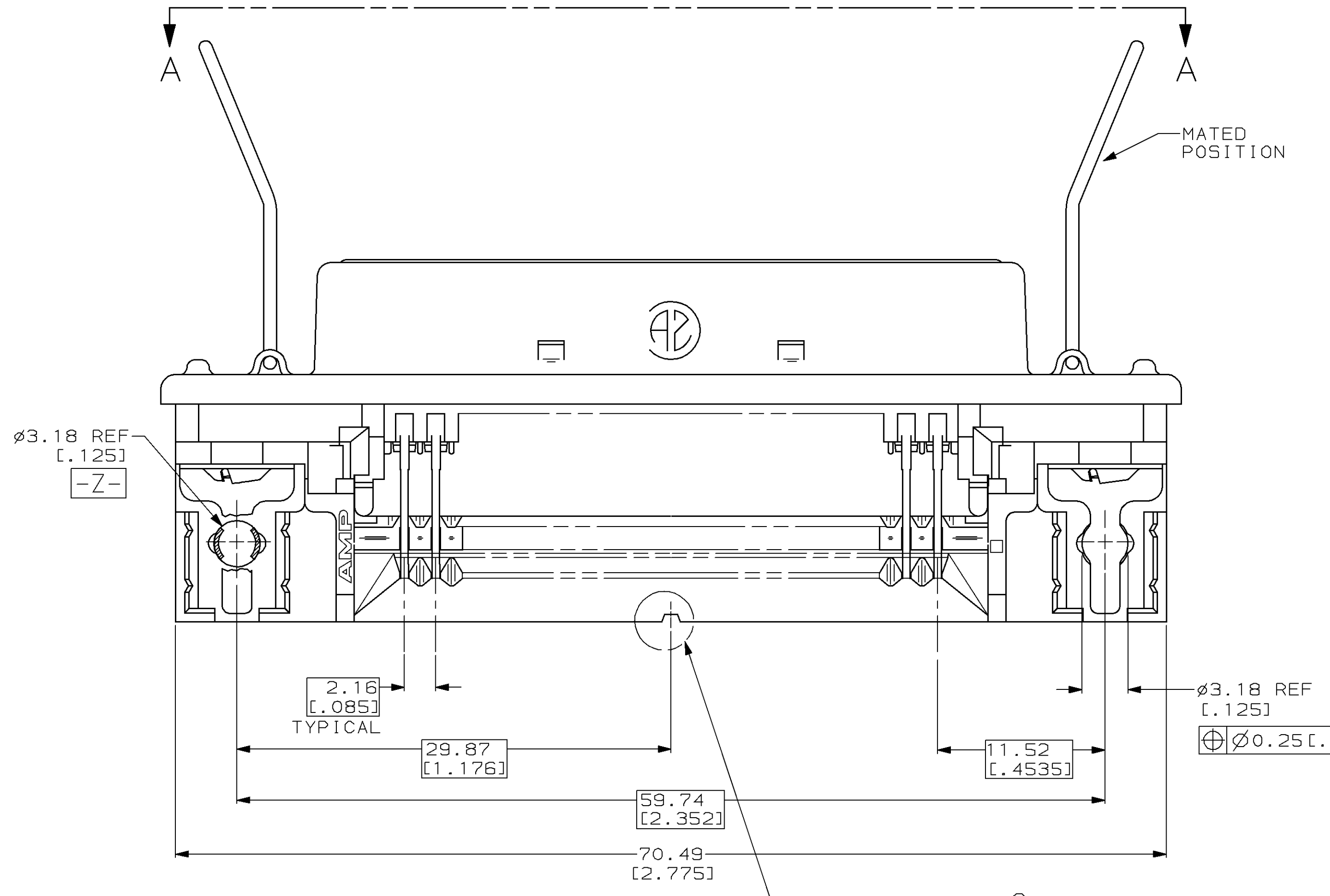


LOC	DIST	REVISIONS			
P	LTR	DESCRIPTION	DATE	OWN	APVD
R	REV	EC 0502-0441-97	02JUL97	GG	RF



MATERIAL:  
 TERMINAL SUPPORT - 94 V-0 HTN, BLACK, OR EQUIVALENT.  
 HOUSING - 94 V-0 HTN, BLACK, OR EQUIVALENT.  
 BAIL CLIPS - PASSIVATED STAINLESS STEEL.  
 RECEPTACLE SHIELD - BRIGHT NICKEL OVER CARBON STEEL.  
 TERMINAL TAILS - TIN LEAD OVER NICKEL PLATED HIGH STRENGTH COPPER ALLOY.  
 MATING SURFACE - LOCALIZED GOLD OVER NICKEL PLATED HIGH STRENGTH COPPER ALLOY.  
 BOARDLOCK - TIN LEAD PLATED CARBON STEEL.

- THE CONTACT SURFACES OF THE TERMINALS ARE COATED WITH LUBRICANT.
- ALL DIMENSIONS SHOWN ARE MAXIMUM UNLESS OTHERWISE SPECIFIED.
- TERMINAL 1 LOCATED IN THIS ROW FOR STANDARD ORIENTATION.
- CYLINDRICAL SHAPE OFFERS 180° OF SOLDERING SURFACE.
- PART WILL WITHSTAND INFRARED AND VAPOR PHASE REFLOW TEMPERATURE FOR 90 SECONDS.
- ACCOMMODATES #4-40 UNC-2A THREAD.



555520-2  
PART NUMBER

DIMENSIONS: IN (INCHES)		TOLERANCES UNLESS OTHERWISE SPECIFIED:		DWG: RAB/JTA 9-22-95		AMP Incorporated Harrisburg, PA 17105-3508	
0 PLC	±	1 PLC	±	CHK: N. JONES 9-28-95	NAME: RCPT ASSY, SHIELDED, 36 POSN, RIGHT ANGLE, WITH THREADED BOARDLOCK, CHAMP ©		
2 PLC	±	3 PLC	±	APVD: R. FLAHERTY 10-4-95	SIZE: A1	CAGE CODE: 00779	DRAWING NO: C-555520
4 PLC	±	ANGLES	±	PRODUCT SPEC: -	SCALE: 4:1	SHEET: 1 OF 1	REV: R
MATERIAL: Δ	FINISH: Δ	WEIGHT: -	CUSTOMER DRAWING				